

Speaker Model:SE 650C、SG650C-Tweeter

Cone material: Composite metal+PORON

DCR Impedance: 6.0 Ω

Maximum power Input: 25 W

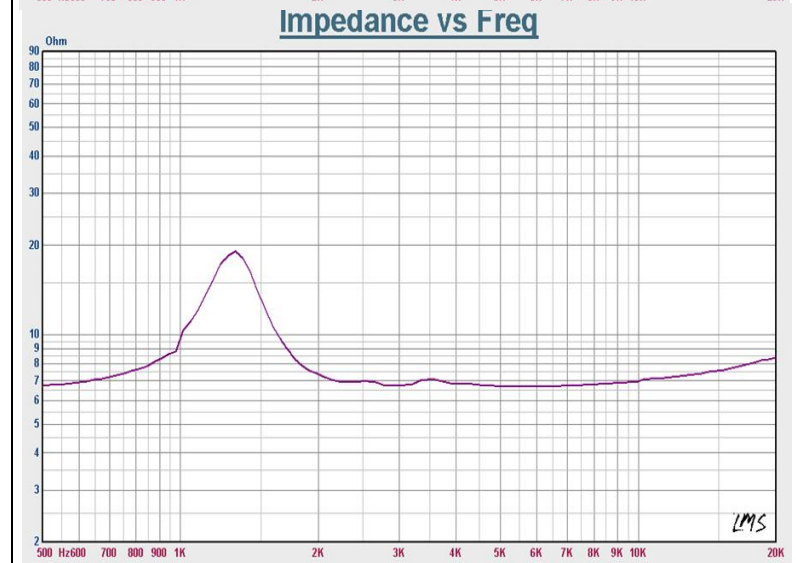
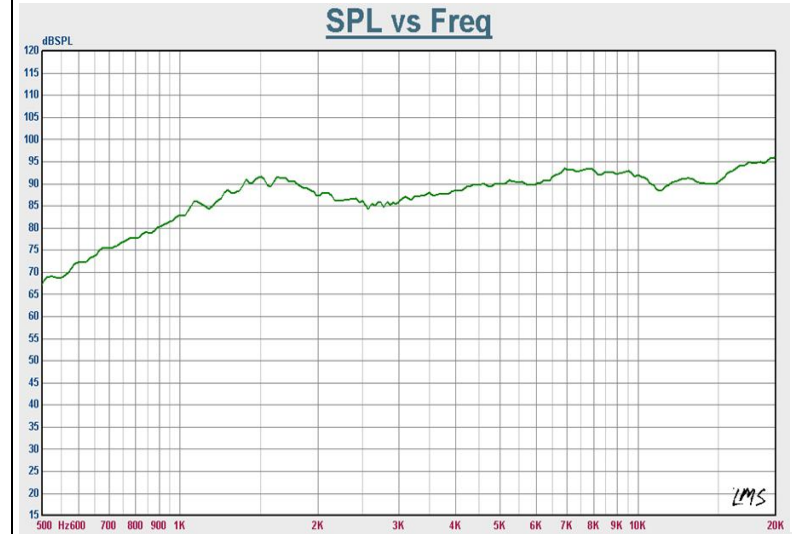
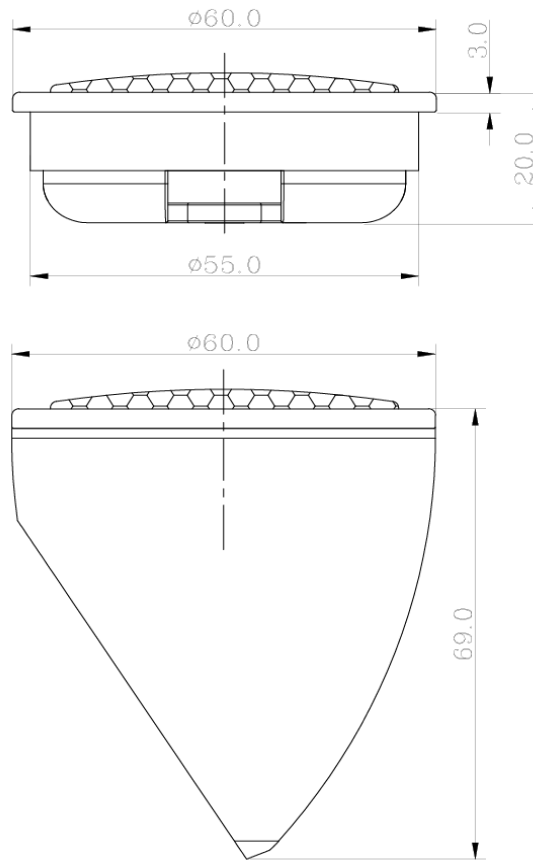
Frequency Range: 1300-25000 Hz

Sensitivity 1W/1M: 91dB

Weight: 0.18(KG)

Mounting Depth: 17 mm

Mounting Diameter: 55 mm



Speaker Model:SG 650C-Woofer

Cone material: Special bulletproof cloth+rubber side

DCR Impedance: 2.0 Ω

Maximum power Input: 50 W

Frequency Range: 45-6000 Hz

Sensitivity 1W/1M: 89dB

Qms:2.12

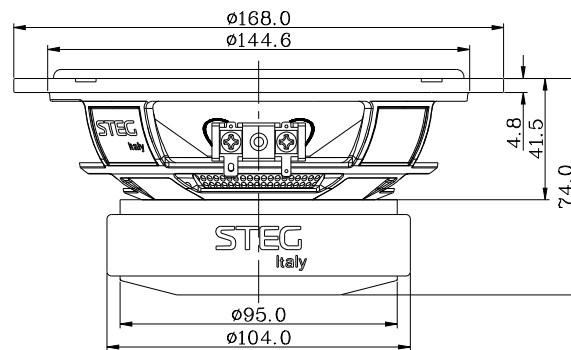
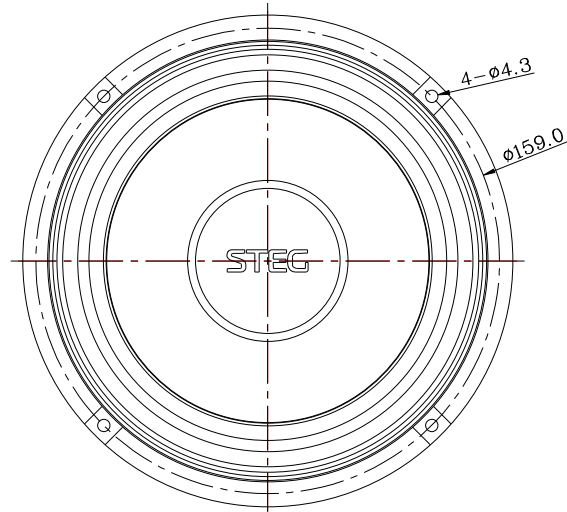
Qes:0.33

Qts:0.28

Weight: 1.48(KG)

Mounting Depth: 69 mm

Mounting Diameter: 147 mm



SPL vs Freq



Impedance vs Freq

